



PVDF
ECTFE
ETFE
PP
HDPE
FEP
PFA



"BRIGHTECH" lined Ball Valves are generally made from Cast Ductile Iron with lining. It is a full port, Two PC Design, Bolted Body Construction with Integral Ball Stem Unit, Replaceable Seat, Bubble Tight Shut off, Glandless Design, Maintenance Free, Full Flow Efficient, Low Torque manually lever operated for easy operation. Confirming to mfg. std. of BS 5153 and testing std. of BS 6755 part 1.

Design Features & Benefits

Liner Locking

The lining is securely locked into the deep machined groove slot into the body & holes in casting ball under melting processible of FEP or PFA. This prevents liner to collapse or blow out under full vacuum/high pressure/temperature applications.



Integral Ball & Stem

Encapsulated one PC design ball & stem. No possibility of rupture of ball & stem joint. Ensure trouble free frequent operations.



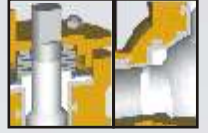
Two PC Design Body

Two PC Design Bolted Body Construction with Stainless Steel Fasteners, minimize the joint leakages.



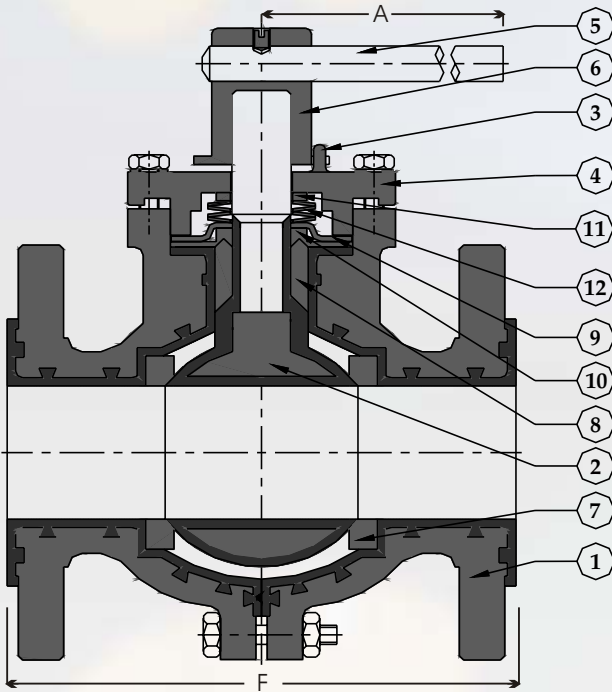
Low Torque Operation

The contact area (sealing area) of ball with seat is very less, thus operating torque is much lower than the plug valve. Lever is compactly designed to operate the valve with very low torque. The valve above 4" size are offered with worm gear box actuation for smooth operation.



Standard Design

The "BRIGHTECH" fully lined ball valve are designed in accordance with flange dimension of ANSI B16.5, & face to face dimension of ANSI B16.10 permits these valves to replace with any standard ball valves without altering existing piping.



Material Specification

SR.NO.	PART NAME	MATERIAL
1	Body	Cast Ductile Iron with Lining
2	Integral Ball	WCB/CF8/8M with Lining
3	Stopper Pin	CS to ASTM A216 Gr.WCB
4	Top Cover	CS to ASTM A216 Gr.WCB
5	Handle	Mild Steel
6	Handle Boss	ASTM A216 Gr.WCB
7	Seat Ring	PTFE
8	Sealing Bush	PTFE
9	Diaphragm	PTFE
10	Diaphragm Back up	Stainless Steel
11	Washer	Mild Steel
12	Disc Spring	Spring Steel

Dimension & Weight

Size	25	40	50	80	100	150
F ^{±1.6}	127	165	178	203	229	267
A	225	250	275	385	450	G.Box
Weight (kg)	5	7	11	22	37	66

Lining Specification

Thickness	3.0/4.0 mm Over All Wetted Parts
Lining Material	FEP/PFA/PVDF/ETFE/ECTFE/PP/HDPE
Spark Test	20,000 Volts

Optional Accessories

Solenoid Valve • Limit Switch • Electro Pneumatic Valve Positioner • Pneumatic Rotary Actuator / Cylinder • Air filter Regulator



ISO 9001



QM011

Brightech Valves and Controls Pvt. Ltd.

Plot No.:- 345, Road No. :- 6, GIDC Kathwada, Ahmedabad 382 430, Ph.: +91-79-22902911, 65248816, Fax.: +91-79-22900538

E-mail: info@brightechvalves.com, Web.: www.brightechvalves.com

www.brandaid.co.in